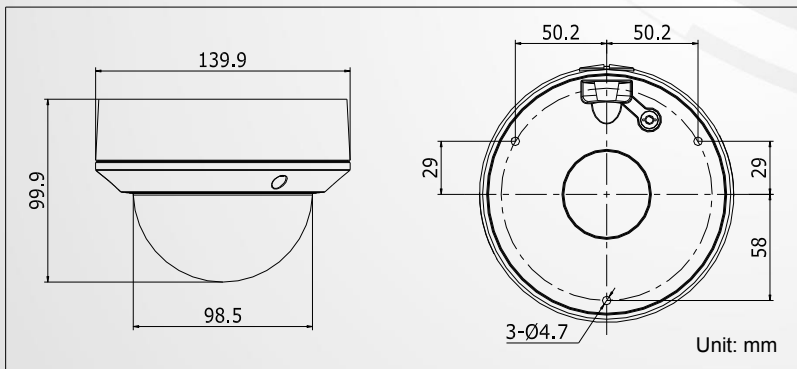


DS-2CD2722FWD-I(Z)(S) 2MP WDR Vari-focal Dome Network Camera



- 1/2.8" Progressive Scan CMOS
- Up to 2 megapixel resolution
- 120dB WDR
- 3D DNR
- Motorized lens 2.8-12mm (-Z)
- Up to 30 meters IR range
- Built-in Micro SD/SDHC/SDXCcard slot, up to 128 GB
- Audio/alarm I/O (-S)
- Mobile Monitoring via EZVIZ P2P or iVMS4500
- 12V DC±10% & PoE(802.3af)
- Support H.264+
- IP66
- IK10

Accessories



DS-1275ZJ
Vertical pole mount



DS-1276ZJ
Corner mount



DS-1273ZJ-135
Wall mount



DS-1280ZJ-DM21
Power intake box

DS-2CD2722WD-I(Z)(S) 2MP WDR Vari-focal Dome Network Camera



Specification

Camera

Image Sensor	1/2.8" Progressive Scan CMOS
Min. Illumination	0.01Lux @(F1.2,AGC ON), 0.014 Lux @(F1.4,AGC ON), 0 Lux with IR
Shutter Speed	1/3 s ~ 1/10,000 s
Slow Shutter	Support
Lens	2.8 - 12 mm @ F1.4, motorized lens (-Z)
Angle Adjustment	Pan:0° - 355°, Tilt: 0° - 75°, Rotation: 0° - 355°
Lens Mount	Φ14
Day & Night	IR cut filter with auto switch
WDR	120dB

Compression Standard

Video Compression	H.264/MJPEG/H.264+
H.264 Type	Main Profile
Video Bit Rate	32 Kbps – 16 Mbps
Audio (-S)	G.711/G.722.1/G.726/MP2L2, 64Kbps(G.711) / 16Kbps(G.722.1) / 16Kbps(G.726) / 32-128Kbps(MP2L2)

Image

Max. Resolution	1920 × 1080
Frame Rate	50Hz: 25fps(1920 × 1080, 1280 × 960, 1280 × 720) 60Hz: 30fps (1920 × 1080, 1280 × 960, 1280 × 720)
Enhancement	BLC/3D DNR/ROI
Image Setting	Rotate Mode, Saturation, Brightness, Contrast, Sharpness adjustable by client software or web browser
Day/Night Switch	Auto/Schedule/Triggered by Alarm In

Network

Network Storage	NAS (Support NFS,SMB/CIFS)ANR, Built-in Micro SD/SDHC/SDXC card slot, up to 128 GB
Alarm Trigger	Intrusion detection, Line crossing detection, Motion detection, Dynamic analysis, Tampering alarm, Network disconnect, IP address conflict, Storage exception
Protocols	TCP/IP, UDP, ICMP, HTTP, HTTPS, FTP, DHCP, DNS, DDNS, RTP, RTSP, RTCP, PPPoE, NTP, UPnP, SMTP, SNMP, IGMP, 802.1X, QoS, IPv6, Bonjour
Security	One-key reset, flash-prevention, dual stream, heartbeat, mirror, password protection, privacy mask, watermark, IP address filtering, anonymous access
Standard	ONVIF(PROFILE S,PROFILE G),PSIA,CGI,ISAPI

General

Interface	1 RJ45 10M/100M Ethernet interface
Operating Conditions	-30 °C – 60 °C (-22 °F – 140 °F), Humidity 95% or less (non -condensing)
Power Supply	12V DC±10%, PoE (802.3af)
Power Consumption	Max. 5.5 W
Ingress Protection	IP66
Impact Protection	IEC60068-275Eh, 20J; EN50102, up to IK10
IR Range	20~30 meters
Dimensions	Φ 140 × 99.9 mm (Φ 5.51" × 3.94")
Weight	1000g (2.20lbs)

Order Model

DS-2CD2722FWD-I, DS-2CD2722FWD-IS, DS-2CD2722FWD-IZ, DS-2CD2722FWD-IZS